



Quick Start Guide

Cube Dehumidifiers with and without Pumps

BCD-20A

BCD-35A

BCD-50A

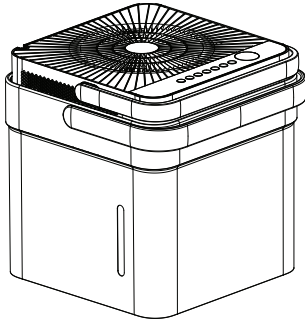
BCDP-50A



SET UP INSTRUCTIONS

Step 1:

Separate dehumidifier & bucket from the nested shipping/storage position. Remove all packaging materials from the unit.



Nested Shipping & Storage Position

Fig. 1a

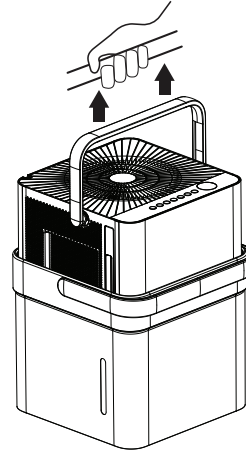
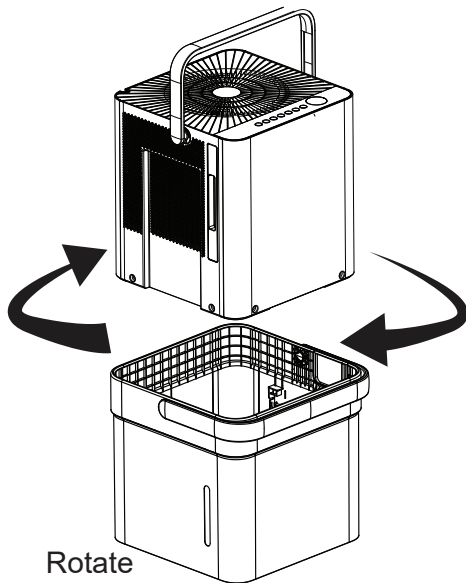


Fig. 1b

Step 2:

Rotate dehumidifier 90° and align the arrows on the two labels (one on the bucket and one on the dehumidifier) and carefully sit the dehumidifier down onto the bucket.

The water level window in the bucket and the user interface buttons on the dehumidifier should be on the same side when properly stacked. Check to ensure the arrows on the unit and bucket are aligned as in Fig. 2c for proper operation.



Rotate dehumidifier 90°

Fig. 2a

User Interface Buttons and Water Level Window Aligned on the Same Side

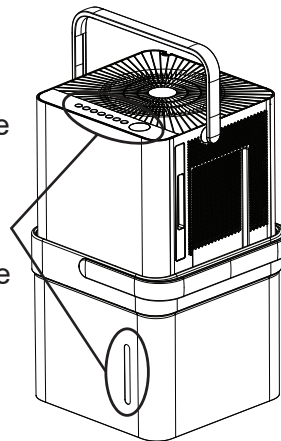


Fig. 2b

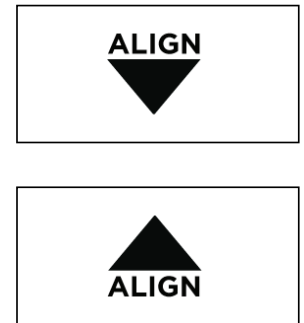


Fig. 2c

Step 3:

Plug the unit in and press the power button and the unit is ready to run in normal (bucket) mode.

To nest the unit:

Make sure the bucket is dry. Then press the tabs on the inside bucket feature in so that the unit can nest correctly. See Fig. 3

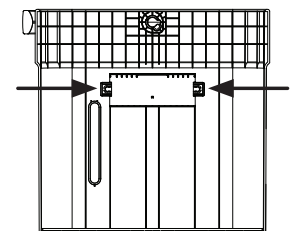
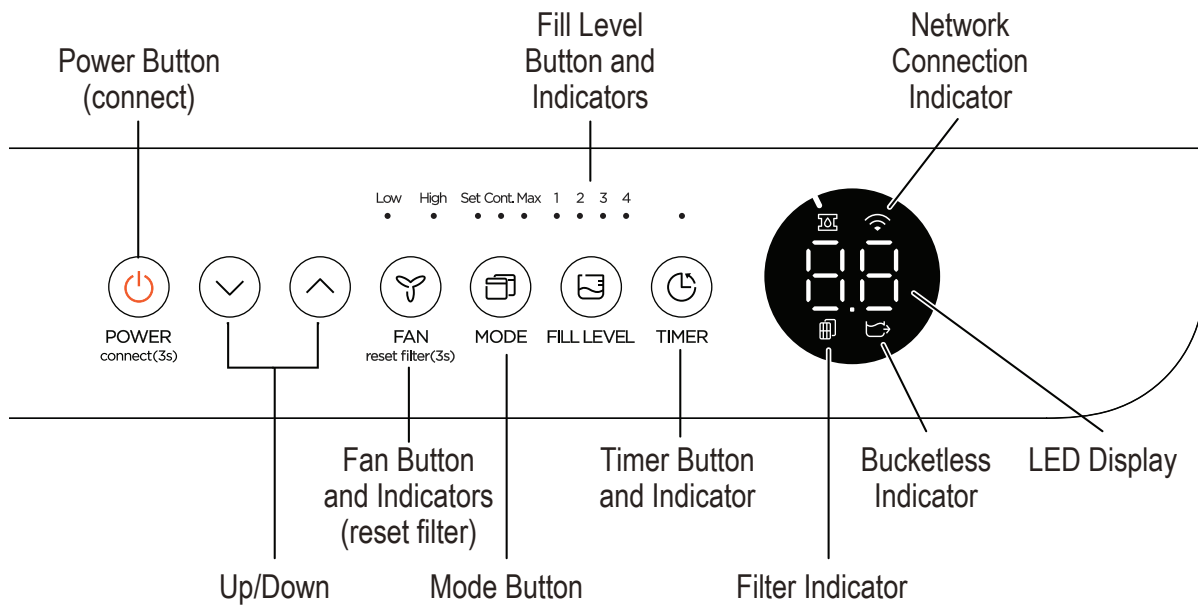


Fig. 3

OPERATING INSTRUCTIONS



Connect:

Holding the power button for 3 seconds will place the unit in network connection mode to setup wireless control.

Fill Level Button:

Press this button to change the required water level before the bucket full switch activates. For more information about each fill level, see page 10 of the full user manual.

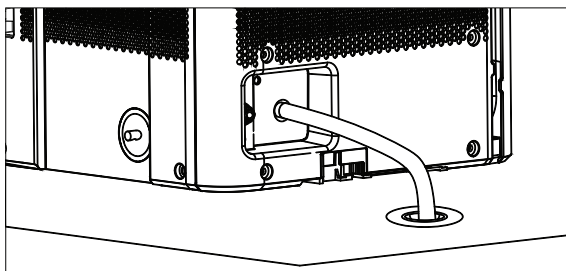


Fig. 4

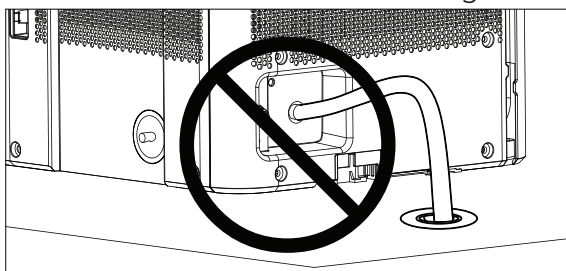


Fig. 5

Bucketless mode:

Bucketless mode allows you to run the unit without the bucket in place. The included drain hose or a garden hose must be attached for proper bucketless mode operation. Please refer to fig. 4 & fig. 5, the drain hose must be properly sloped to the drain. To activate bucketless mode, the following steps must be completed within three minutes of plugging the dehumidifier in.

1. Press and hold the up and fill level buttons for 3 seconds until the bucketless icon appears on the display.
2. Ensure the dehumidifier is on flat level ground (free of debris).
3. Make sure the hose for Bucketless mode is sloped down to the drain and does not rise above the connection point.
4. Attempting to change the unit into bucketless mode while it is sitting on the bucket will have no effect.

To remove the unit from bucketless mode, place the unit back on the bucket.

"This product complies with all California product labeling laws including, but not limited to, the Safe Drinking Water and Toxic Enforcement Act of 1986, more commonly known as Proposition 65."

Due to ongoing product improvements, specifications and dimensions are subject to change and correction without notice or incurring obligations. Determining the application and suitability for use of any product is the responsibility of the installer. Additionally, the installer is responsible for verifying dimensional data on the actual product prior to beginning any installation preparations.

Incentive and rebate programs have precise requirements as to product performance and certification. All products meet applicable regulations in effect on date of manufacture; however, certifications are not necessarily granted for the life of a product. Therefore, it is the responsibility of the applicant to determine whether a specific model qualifies for these incentive/rebate programs.

Comfort-Aire®

1900 Wellworth Ave., Jackson, MI 49203 • Ph. 517-787-2100 • www.marsdelivers.com

